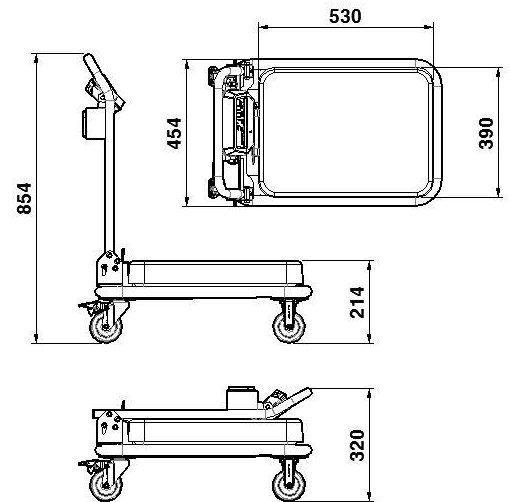




TI-3700  
(Standard)



## FEATURE

- ◆ Easy to move and easy to measure
- ◆ Built-in high capacity lithium polymer battery
- ◆ Wireless Communication with various products(Optional)
- ◆ Direct line to thermal print(Optional)

MODEL	TWC- 60 / 100 / 200		
Capacity	60kg	100kg	200kg
Division	0.01kg	0.02kg	0.05kg
Accuracy	0.03%		
Dimensions	(Product) 454(W) x 620(L) x 854(H) / (Platform) 530 x 390 (mm)		
Product weight	22kg		
Display	6digit FSTN LCD (Height : 30mm) / Amber LED Backlight		
Loading limit	150%		
Operating time	200hr		
Material	Steel (powder painting)		
Option	Wireless communication(ZigBee or Bluetooth), Thermal printer		