



FND type



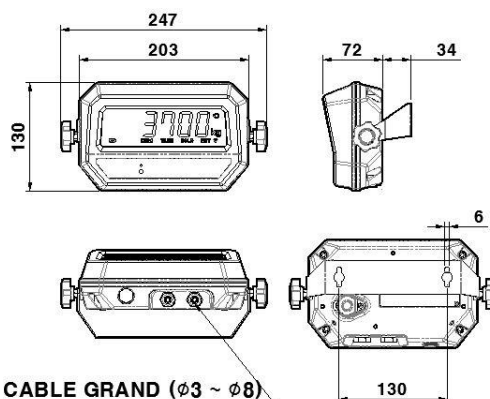
LCD type



IR controller (Option)

FEATURE

- ◆ Big size display
- ◆ Water proof : IP-66
- ◆ Average hold functions
- ◆ Multiple options
 - OP-01 : IR remote controller
 - OP-02 : ZigBee wireless
 - OP-03 : Bluetooth wireless
 - OP-04 : RS-232C compliant
 - OP-05 : 7.4V Li-Po battery(TI/TD-3700)
 - OP-06 : 3.7V Li-Po battery(TI/TD-3700L)



MODEL	TI-3700	TI-3700L	TD-3700	TD-3700L
Display	5digit FND (Height : 30.4mm)	6digit LCD (Height : 30mm) and backlight	5digit FND (Height : 30.4mm)	6digit LCD (Height : 30mm) and backlight
Type	INDICATOR		DISPLAY	
Input sensitivity	Up to 0.2uV/D	Up to 0.5uV/D		
Input signal range	0~39mV			
Non linearity	<±0.0015% of FSR max.			
Load cell excitation	DC 5V± 5%, 200mA (Up to 8 unit of 350ohm)	DC 3V± 5%, 200mA (Up to 8 unit of 350ohm)		
Effective resolution	24bit			
External resolution	Up to 100,000counts			
Output data rate	4.7 to 200 measurements per second			
Operating time	Approx. 60hr	Approx. 100hr	Approx. 60hr	Approx. 100hr
Operating temperature	-10°C ~ 40°C			
Product weight	Approx. 900g			
Power	AC/DC Adaptor 12VDC 1A	AC/DC Adaptor 5VDC 1A	AC/DC Adaptor 12VDC 1A	AC/DC Adaptor 5VDC 1A